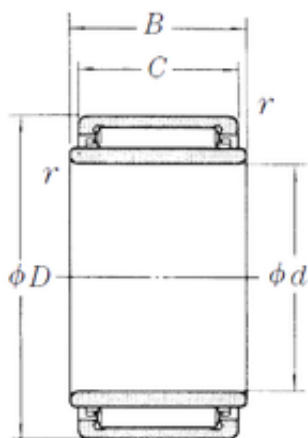




Demek Bearing Group Co., Ltd.



20 mm x 33 mm x 20,2 mm NSK LM253320
needle roller bearings

Bearing No. LM253320

Size	20x33x20.2 mm
Bore Diameter	20 mm
Outer Diameter	33 mm
Width	20,2 mm
d	20 mm
Fw	25 mm
D	33 mm
B	20,2 mm
C	20 mm
r min.	0,5 mm
Weight	0,068 Kg
Basic dynamic load rating (C)	21,5 kN
Basic static load rating (C0)	31 kN

LM253320 Bearing 2D drawings and 3D CAD models