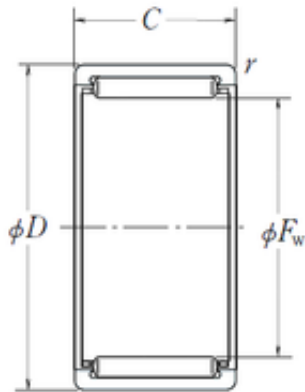




Demek Bearing Group Co., Ltd.

NSK RLM3830 needle roller bearings



Bearing No. RLM3830

Size	38x48x30 mm
Bore Diameter	38 mm
Outer Diameter	48 mm
Width	30 mm
Fw	38 mm
D	48 mm
C	30 mm
r min.	0,6 mm
Weight	0,11 Kg
Basic dynamic load rating (C)	41 kN
Basic static load rating (C0)	73 kN
(Grease) Lubrication Speed	5600 r/min
hidYobi	RLM3830
LangID	1
D_	48
B_	30
hidTable	ecat_NSMRNR
GRS rpm	5600
ra	0.6
C0	73
C1_	30
DE_	45
SLR	23.8
Prod_Type3	NRB_S_RLM
d	38
DA_	3.5

RLM3830 Bearing 2D drawings and 3D CAD models



Demek Bearing Group Co., Ltd.

Z_	23
SI	0
yobi	RLM3830
da_max	44
OIL rpm	9000
SDM_	41.5
r	0.6
KBRG	8312
mass1	0.11