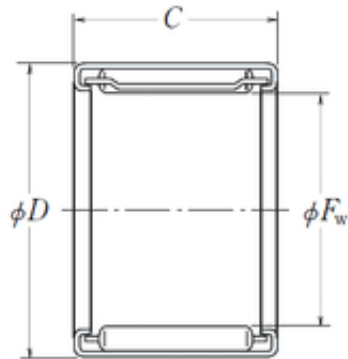




Demek Bearing Group Co., Ltd.

NSK FJ-2220 needle roller bearings



Bearing No. FJ-2220

Size	22x28x20 mm
Bore Diameter	22 mm
Outer Diameter	28 mm
Width	20 mm
Fw	22 mm
D	28 mm
C	20 mm
Weight	0,023 Kg
Basic dynamic load rating (C)	16200 kN
(Grease) Lubrication Speed	9000 r/min
NB-DI	0
NA-DEX	26.209
hidYobi	FJ-2220
LangID	1
D_	28
NC-SLR	15.19
B_	20.5
n_yobi	FIR-172220
hidTable	ecat_NSDCNR
mass_k	23
d1	17
GRS rpm	9000
ra	0.3
NC-SLR1	0
C0	26.77
C1	20

FJ-2220 Bearing 2D drawings and 3D CAD models



Demek Bearing Group Co., Ltd.

Prod_Type3	NRB_DC_FJ- MFJ_WC_OT
da	19
d	17
NC-RAC	0
Pmax	11500
N-SDM	0
yobi	FJ-2220
C1_C2	1
ND-Z	22
OIL rpm	14000
NC-DA	2.098
N-KBRG	8201
NC-KMS	22
B1	20.5