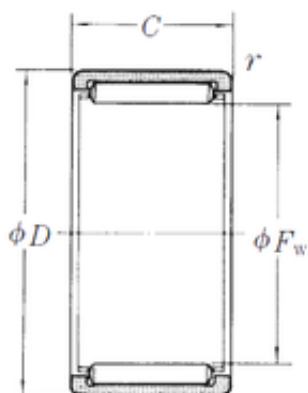




Demek Bearing Group Co., Ltd.

NSK RLM506230 needle roller bearings



Bearing No. RLM506230

Size	50x62x30 mm
Bore Diameter	50 mm
Outer Diameter	62 mm
Width	30 mm
Fw	50 mm
D	62 mm
C	30 mm
r min.	0,6 mm
Weight	0,18 Kg
Basic dynamic load rating (C)	50 kN
Basic static load rating (C0)	94,5 kN

RLM506230 Bearing 2D drawings and 3D CAD models