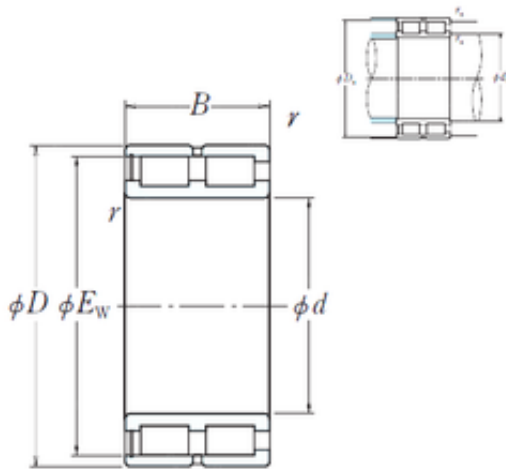




Demek Bearing Group Co., Ltd.

400 mm x 500 mm x 100 mm NSK NNCF4880V cylindrical roller bearings

Bearing No. NNCF4880V



NNCF4880V Bearing 2D drawings and 3D CAD models

Size	400x471.7x100 mm
Bore Diameter	400 mm
Outer Diameter	471,7 mm
Width	100 mm
d	400 mm
D	500 mm
Ew	471,7 mm
B	100 mm
C	100 mm
r min.	2,1 mm
Da	479 mm
ra max.	2 mm
da	420 mm
Weight	47,5 Kg
Basic dynamic load rating (C)	1290 kN