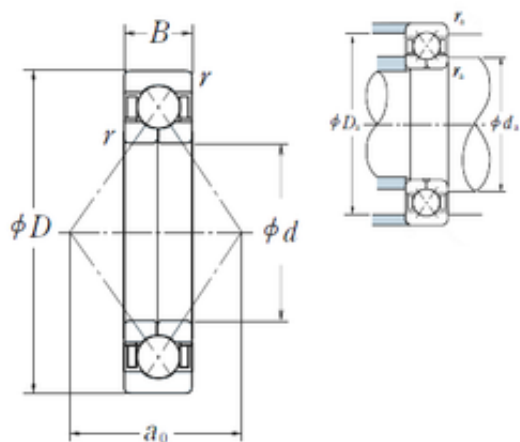




Demek Bearing Group Co., Ltd.



170 mm x 360 mm x 72 mm NSK QJ 334 angular contact ball bearings

Bearing No. QJ 334

Size	170x360x72 mm
Bore Diameter	170 mm
Outer Diameter	360 mm
Width	72 mm
d	170 mm
D	360 mm
B	72 mm
C	72 mm
Angle (°)	35 °
a	185,6 mm
r min.	4 mm
da min.	188 mm
da max	342 mm
ra max.	3 mm
Weight	41 Kg
Basic dynamic load rating (C)	565 kN
Basic static load rating (C0)	1610 kN
(Grease) Lubrication Speed	1 400 r/min

QJ 334 Bearing 2D drawings and 3D CAD models