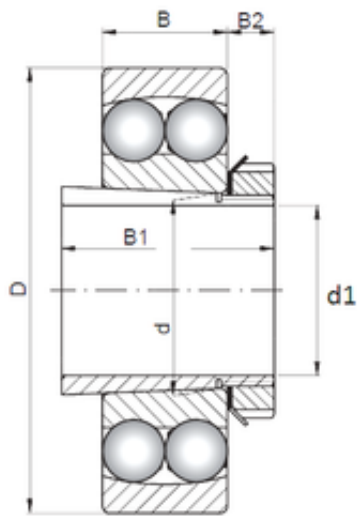




# Demek Bearing Group Co., Ltd.



75 mm x 160 mm x 55 mm ISO 2315K+H2315  
self aligning ball bearings

Bearing No. 2315K+H2315

Size	75x160x55 mm
Bore Diameter	75 mm
Outer Diameter	160 mm
Width	55 mm
d	75 mm
d1	65 mm
D	160 mm
B	55 mm
C	55 mm
B1	73 mm
B2	15 mm

2315K+H2315 Bearing 2D drawings and 3D CAD models